



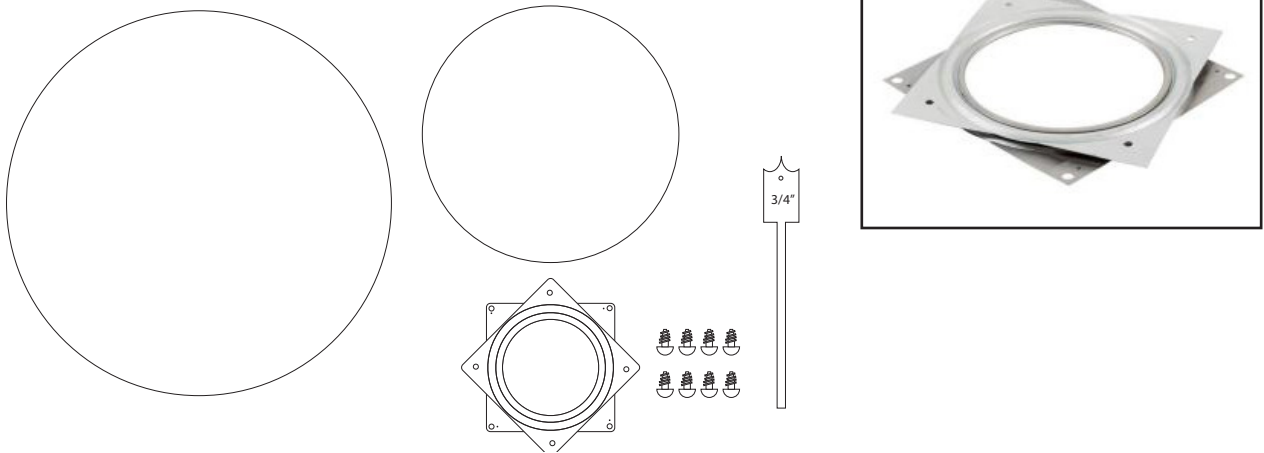
Lazy Susan

Lazy Susan

To build the Lazy Susan, you'll need a few basic items:

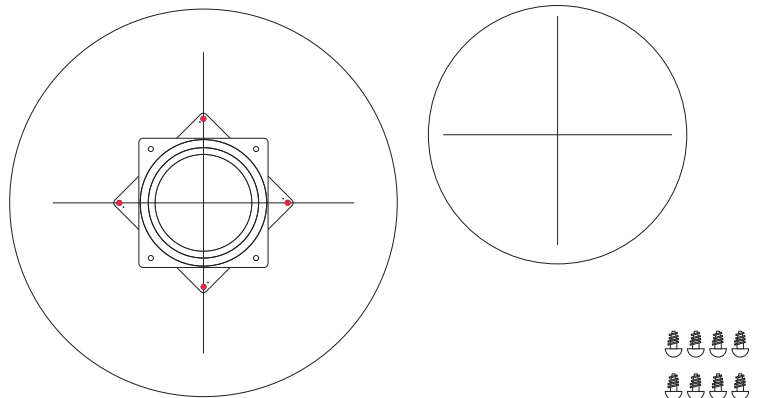
Materials

1. 18" Wood Round
2. 12" Wood Round (both are available pre-cut at many home center stores. For this segment, I purchased them at Menard's)
3. Lazy Susan Hardware (purchased at Home Depot \$4.48)
4. 8 - #8 5/8" Round Head Wood Screws
5. 3/4" Spade Drill Bit
6. Drill
7. Screwdriver
8. Sandpaper 100 grit and 200 grit.



Step 1

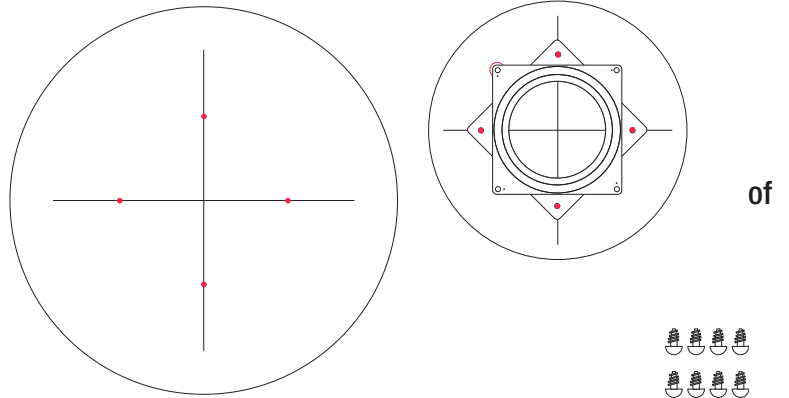
Find the center of both the large and small round and draw two perpendicular lines as shown. The lazy susan has holes on both turntables. Lay the side that has both large and small holes on it over the lines you've drawn on the large round. Mark the position of the large holes on the large round. Drill small pilot holes in those positions with a drill bit smaller than your wood screws. Set aside.



Lazy Susan

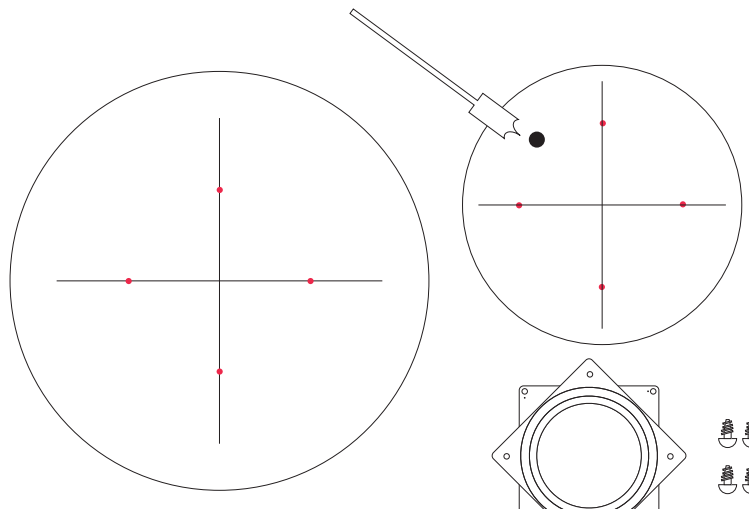
Step 2

Turn the lazy susan hardware over and position it over the lines on the smaller round. Mark the location of the four holes. Also, with the top portion of the turntable rotated 45 degrees from the base, mark the location of one of the larger holes on the base of the smaller round as shown.



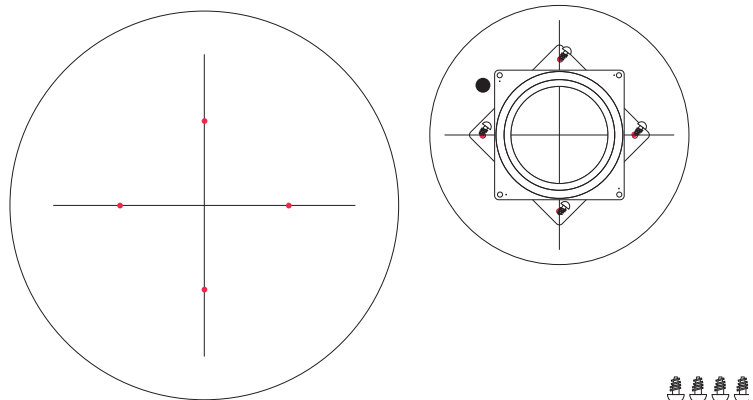
Step 3

Using your spade drill bit, drill a 3/4" hole through the small round at the point marked that corresponded with the lazy susan upper turntable hole.



Step 4

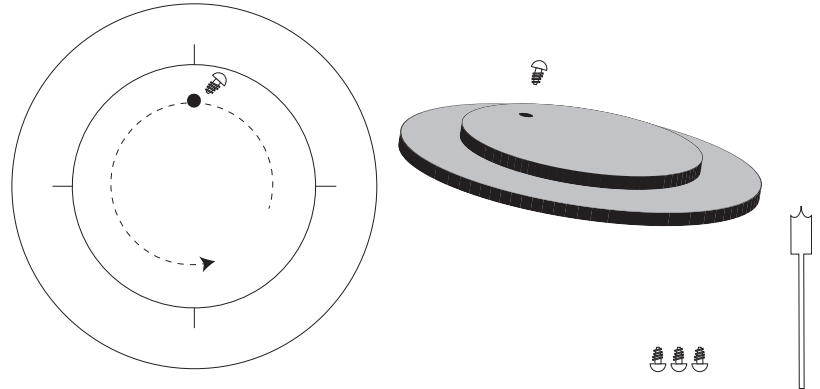
Attach the lazy susan hardware to the small round using four wood screws.



Lazy Susan

Step 5

Turn the small round and attached lazy susan over and place it on top of the large round. Rotate the lazy susan top turntable until you can see one of the holes through the 3/4" hole that you created. Once you see that portion of the lazy susan, guide it and the bottom portion until you're on top of one of the pilot holes you created in the large round. Secure that portion of the lazy susan to the large round using a screwdriver and one of the wood screws.



Now, rotate the small round until you spot the opposite end of the lazy susan top turntable and line it up over the corresponding hole in the large round. Secure it with another wood screw. Repeat this process with the remaining two holes.

Step 6

Sand the top and side surfaces with 100 grit sandpaper and then 200 grit sandpaper. Remove all dust with a clean cloth.

Step 7

To finish the piece, rub a few coats of salad oil finish or mineral oil into the wood with a clean cloth and allow it to dry for 72 hours before using. *Salad bowl finish is available online from a variety of sources (you can also get it locally at Rockler - go to www.rockler.com for store location). Mineral oil is available at your local pharmacy.

